

NATURAL
RESISTANT
SIMPLE

Audio, Video and
Communications
for Broadcasters



BRAVO

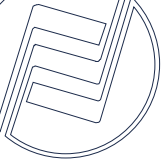
Audio Mixer for Broadcasting

Multiple Features:

- †2 Telephone Hybrids Built-in.
- †10-Watts Power Amplifier Built-in.
- †2 Stereo Busses Program + Audition.
- †CUE Stereo Speakers.
- †2 VU meters Selectable Master or "Select" with adjustable viewing angle.
- †Built-in Talk-back microphone with send to telephone and studio headphones.
- †Universal Power Supply 100-240 V. 100 VA.
- †Flexible design for Tabletop or Countersink into studio furniture.

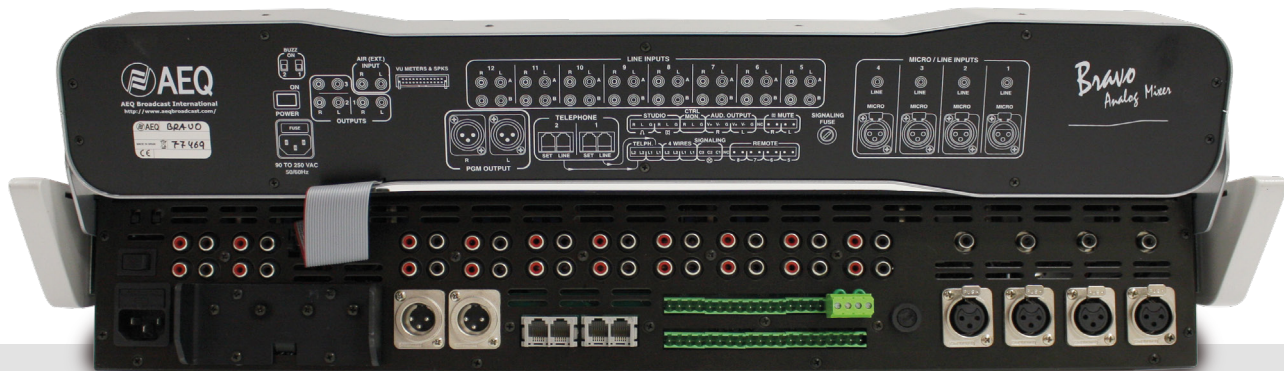
Just some of the features the BRAVO has as standard:

- †4 mic - line channels.
- †8 dual stereo line channels.
- †1 dual telephone channel with 2 hybrids included.
- †2 stereo programme buses.
- Stereo CUE bus with built-in loudspeakers.
- Stereo monitor output with built-in power amplifier.
- Headphone output.
- ON-AIR signalling and automatic monitor cut-off.



Technical Specifications and Features

Bravo, Audio Mixer for Broadcasting



INPUT CHANNELS DESCRIPTION:

4 Mic/Line channels:

- Electronically balanced mic input.
- Asymmetrical line input.
- Mic/line switch.
- 100 mm VCA fader.
- CUE button.
- Telephone send button.
- Master and Audition send buttons.
- Channel ON/OFF button.
- XLR female (Mic) and RCA phono (Line) connectors.
- Fine adjustment for input gain.

8 Stereo Line Channels:

- Asymmetrical stereo inputs.
- Line input A / B switch.
- 100mm VCA fader.
- CUE button.
- Telephone send button.
- Master and Audition send buttons.
- Channel ON/OFF button.
- RCA phono connectors.
- Fine adjustment for input gain.

OUTPUT FEATURES DESCRIPTION:

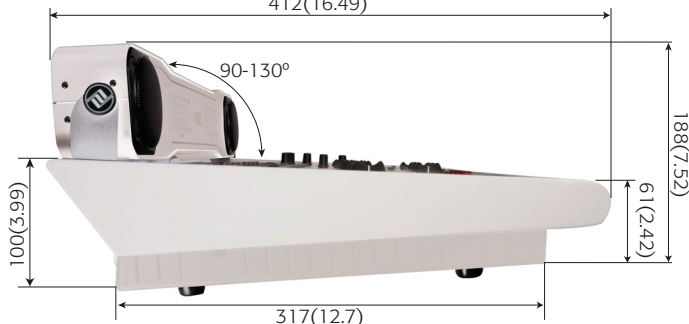
- Program + Audition transformer balanced stereo outputs (XLR male + Hartmann), with level preset.

DIMENSIONS

PLACED ON A TABLE mm (inches)

Wide 622(24.49)

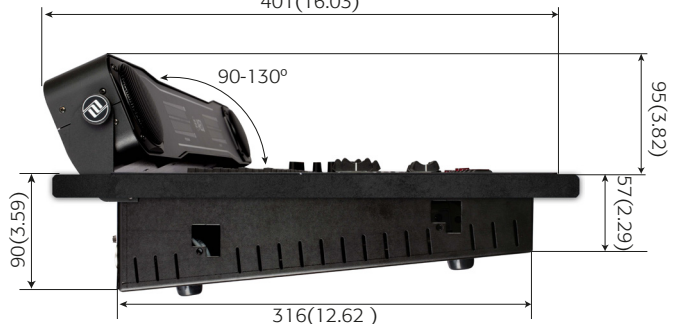
412(16.49)



SUNK INTO CUSTOM WOODWORK mm(inches)

Wide 600(23.62)

401(16.03)



- Balanced Control Room Monitor stereo output with control level.
- 10 W stereo output for Studio Monitor. Program / Audition / CUE selectable.
- 10-W stereo loudspeakers on VU meter bridge.
- Three stereo recording outputs (RCA connector) with level preset.

AUXILIARY INPUT FUNCTIONS:

- External stereo input with level preset. RCA connectors. Internal jumpers for Programme/CUE send.

TELEPHONE CHANNEL:

- Two telephone line Inputs (RJ11).
- Two built-in telephone analogue hybrids with C and R control. Switchable to use external hybrid with RJ11 and strip connectors for telephone handset.
- Program/Audition/CUE send.
- Volume pot.
- Return from input channels or talkback.
- Incoming call buzzer and LED indicator.
- Hold switch.

OTHER FUNCTIONS

- Talkback microphone with send buttons to telephone and studio headphones.
- DC Studio and cue light signalling. Strip connector output.
- Two stereo VU-meters: Program and Select.
- Studio monitors muting.

POWER SUPPLY:

Autorange 100-240 V. 100 VA 50-60 Hz.

APPROX WEIGHT:

10 KG (22 lbs).

AEQ - USA

Phone: +1 (954) 581 79 99

e-mail: sales@aeqbroadcast.com

AEQ - KROMA MÉXICO

Phone: +5554132716

e-mail: creyna@aeq.es

INTERNATIONAL SALES

Margarita Salas, 24 · 28919 · Leganés · Madrid · Spain

Phone: +34 91 686 13 00 · Fax: +34 91 686 44 92

e-mail: aeqsales@aeq.es · website: www.aeq.eu